

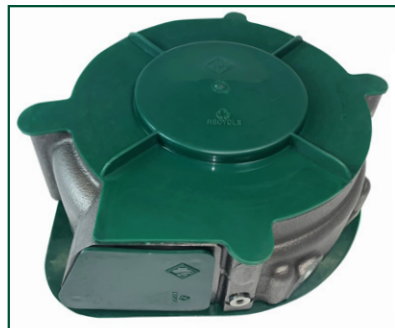
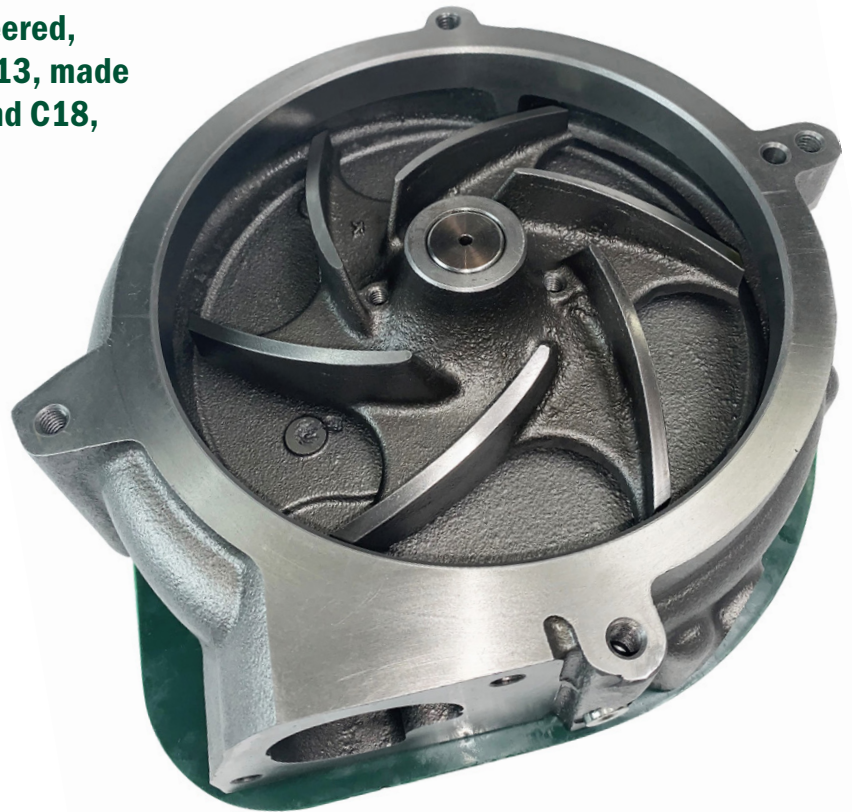


# IPD KEEPS PUMPING OUT THE PUMPS!

**Introducing IPD's latest water pump engineered, manufactured, and tested by IPD - #3362213, made specifically for the Caterpillar C15 Acert and C18, some of our most popular engine models.**

When it comes to quality, IPD Customers understand the difference. We have received positive feedback since we produced new water pumps for the Caterpillar 3500 and the G3300 and everyone can tell the difference. You notice the difference as soon as the package arrives, and you see the custom IPD banding around the box – ensuring your box remains intact and protected. Once you open the box you will see custom-fitted foam inserts protecting your pump so zero shifting occurs during transit. Once you pull your pump out of the box, it's hard to miss the plastic green caps that cradle the bearings and minimize debris inside the pumps. Pull those caps off and you will find that IPD used only the highest quality new materials and components including:

- Precision machined, cast iron housings and impellers
- Precision machined steel shafts and bronze thrust washers
- Ceramic, spring loaded water seals
- Teflon lip-type hydrodynamic oil seals



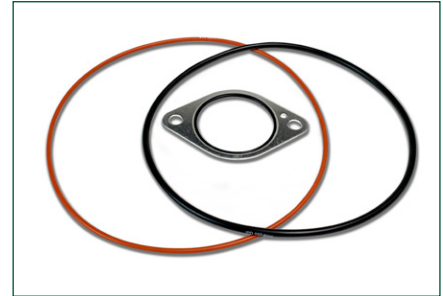
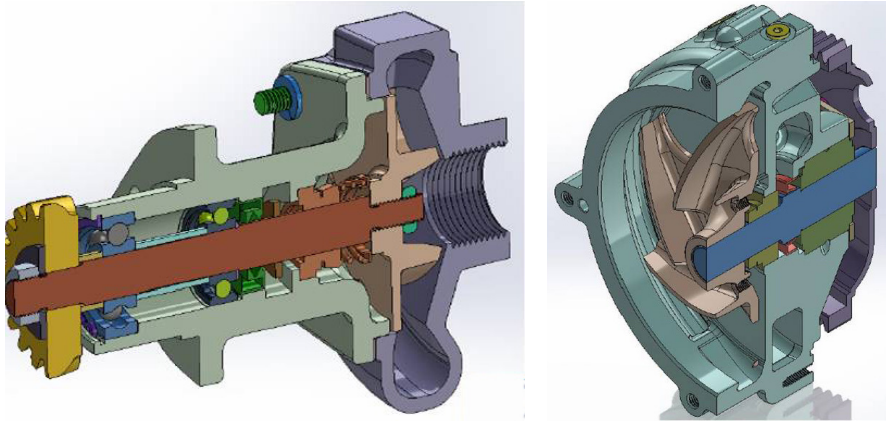
**Custom recyclable green caps protect the bearings and minimize debris**



**Strong banding around each box means your pump arrives in perfect condition**

# IPD IS COMMITTED TO BEING THE QUALITY PUMP LEADER

In the last year IPD has released three new water pumps and we still have many more to go.



Each pump comes with a seal kit (gasket and o-rings) to help with your installation.

To achieve this benchmark, IPD set its in-house engineering team to work on a new design. It used the most advanced three-dimensional scanning and coordinate measurement machine (CMM) technologies to create this precision water pump. The C15 Acert / C18 water pump is very diverse and can be used in hundreds of applications including on-highway, gen-sets and industrial machines

### Every Pump is 100% Inspected and the Tag is the Proof!

Each of these C15 Acert water pumps is inspected by IPD's quality assurance team – they even come with a signed tag so that you know it's been tested for leakage, pressure and flow.



The signed tag proves every pump is personally inspected

Item Number	Description	Availability
3362213	Water pump for the C15 Acert/C18	Available
4160610	Caterpillar 3500	Available
2279850	Auxiliary water pump for the G3300	Available
1727764	Water pump for the G3300	Coming soon
3520200	Water pump for the 3412/C27/C32	Coming soon
3520211	Water pump for the C15	Coming soon
3520203	Water pump for the C3400	Coming soon
3522077	Water pump for the C12	Coming soon



## IPD

23231 Normandie Ave.  
Torrance, CA 90501 USA  
+1.310.530.1900  
ISO 9001: 2015 Certified  
[ipdparts.com](http://ipdparts.com)

All manufacturer's names, numbers, symbols and descriptions are for reference only. It is not implied that any part is the product of the manufacturer. Caterpillar®, Detroit® and Cummins® are registered trademarks of their respective owners.